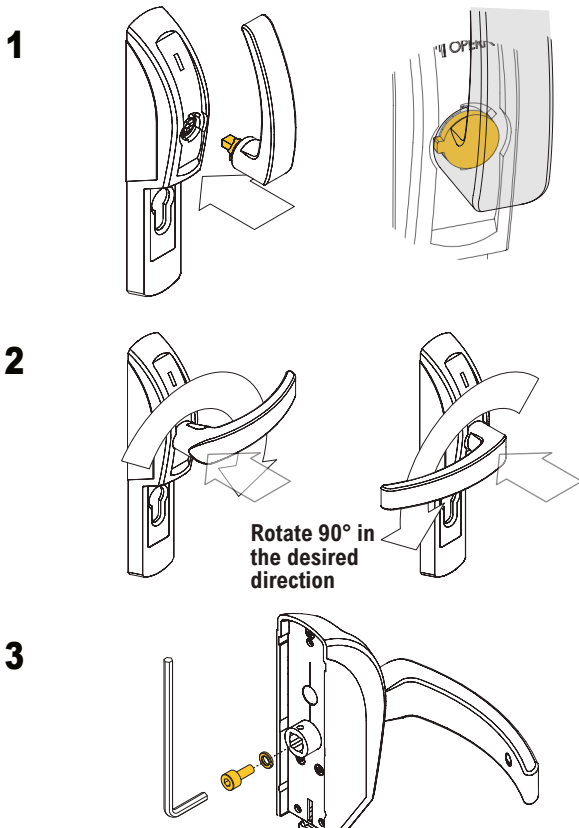


HANDLE INSTALLATION

WARNING: Do not exceed 100° of handle rotation during this operation: risk of internal spring failure.
ELM/fs: perform this operation with the electric handle powered.
ELM/mt: perform this operation with the electric handle unpowered.



PRODUCT DESCRIPTION

Electric handle in black painted aluminum with internal timer. This access control system is designed to be paired with MSC, MCC/S, MCC/T, M3, HOT CIL handles or TWIST, SLASH, EXUS, or FAST TOUCH push bars.

The ELM/mt electric handle is free (in neutral) when there is no power supply, making it impossible to open the door.

The ELM/fs Failsafe electric handle is free (in neutral) when powered, thus also preventing the door from being opened.

This access control system does not alter the fire resistance certification of the door because no additional modifications are required on the frame for its installation.

OPERATION IN "TIME" MODE

The electric handle is disabled (in neutral) with a red LED illuminated. Pressing and releasing the opening button switches the LED to green, activates the buzzer, and allows the handle to open the door. This condition lasts for the set time of 30 seconds or until the handle is operated for the first time. To perform another opening, the opening button must be pressed again.

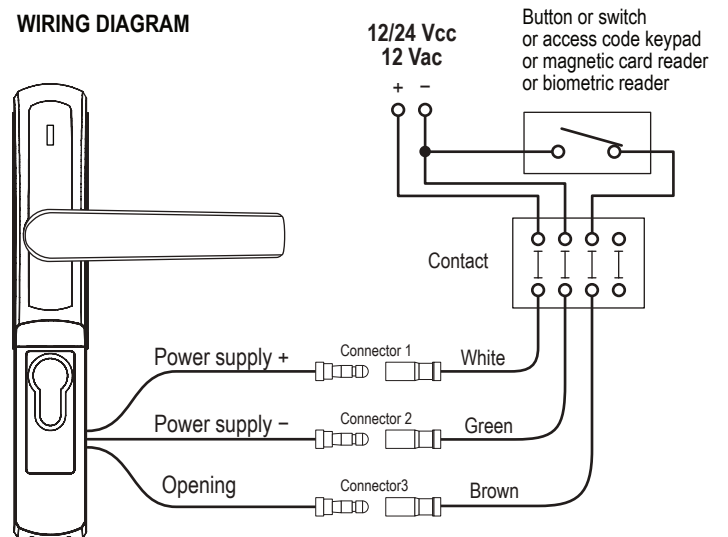
OPERATION IN "DAY LOCK" MODE

If you wish to keep the electric handle enabled for a user-defined period, it is necessary to install, in parallel with the opening button, a switch (not provided) that will keep the electric handle enabled until it is turned off.

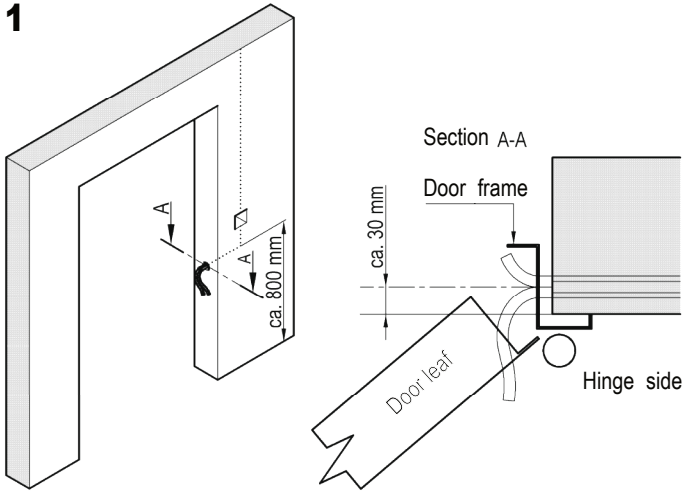
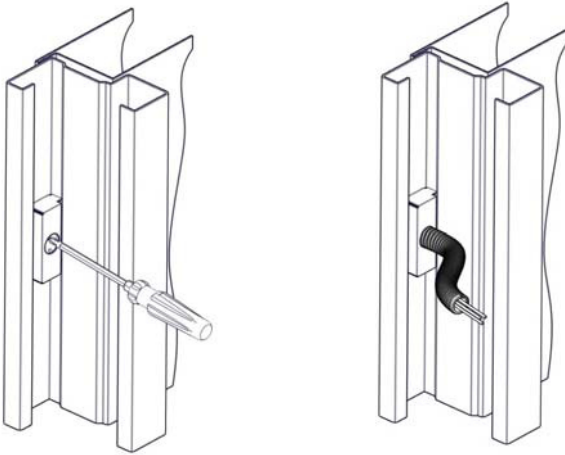
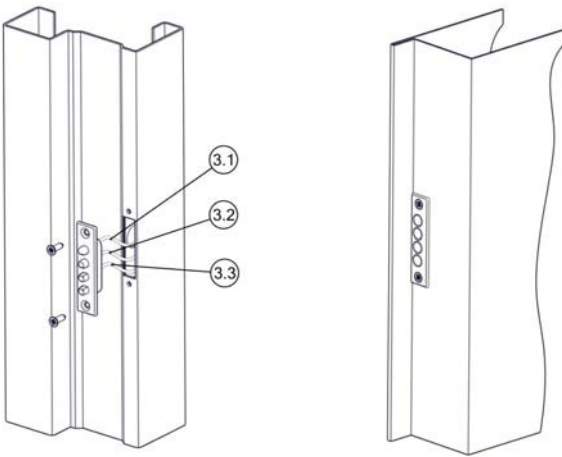
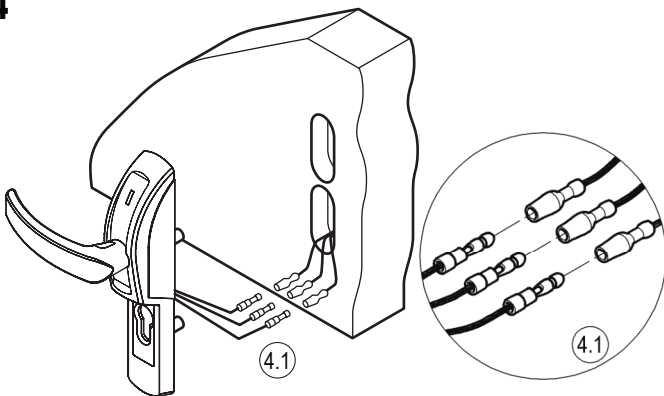
TECHNICAL FEATURES

State without power (ELM/mt):	Disabled handle
State without power (ELM/fs):	Enabled handle
Hand	Reversible
Handle plate:	9 mm
Power supply:	12/24 Vcc / 12 Vac
Current consumption at 12 V:	500 mA
Current consumption at 24 V:	200 mA
Inrush current at 12 V:	700 mA
Inrush current at 24 V:	300 mA
Timing:	30 seconds
Acoustic indication for enabled handle:	yes

WIRING DIAGRAM



⚠ WARNING: When using DC current, polarity must be observed!

1**2****3****4****IMPORTANT**

- The installation must be carried out by qualified personnel, following and respecting all the instructions provided below.



- No modifications or installation configurations different from indications allowed.

INSTRUCTIONS FOR PREPARING TO INSTALL THE ACCESS CONTROL SYSTEM ELECTRIC HANDLE ELM/mt or ELM/fs**1**

- 1 Check that the center of the hole for the passage of the conduits and power cables are in the correct position, as shown in the figure.

The cables must exit the wall under the door frame post with the hinges at a depth of 30 mm from the door's resting surface and 800 mm from the floor.

The figure shows an example of a wall hole for a right-hand pull door.

2

- 2 Using a flat screwdriver, open the hole for the insertion of the conduit located on the connection box at the back of the door frame (frame post with hinges).



Be careful not to damage the box or the spring contacts inside.

After verifying that the positions of the conduits and power cables are correct (see points 3.1, 3.2, and 3.3), insert the conduits into their respective boxes.

3

- 3 After installing the frame on the wall and mounting the door according to the specific door installation instructions, unscrew the contact located on the frame and perform the electrical connections, observing the polarities for direct current (DC) power supply:

- 3.1: polarity + (white cable on the door)
- 3.2: polarity - (green cable on the door)
- 3.3: button (brown cable on the door)



Respect the technical specifications and the wiring diagram provided on pages 1/2.

Reattach the contact. Before completing the fastening and any filling of the door frame, check that the contact on the door leaf is aligned with the one on the frame.

4

- 4 Proceed with the installation of the handle, MSC, MCC/S, MCC/T, M3, HOT CIL, or push bar TWIST, SLASH, EXUS, or FAST TOUCH, according to the specific instructions.



Before securing the electric handle to the door leaf, connect the electric handle connectors (4.1) to those coming from the lock slot, as indicated in the figure, ensuring that the three colors correspond (see also the wiring diagram on pages 1/2).

At this point, the installation of the ELM/mt or ELM/fs electric handle can be completed.